

WALLPOD:EV

FREE-TO-USE

Type 2, Mode 3 Charging Socket
3.6kW or 7.2kW

ROLEC
EV Charging

MANUFACTURED IN THE UK



Unit shown: WALLPOD:EV
Socket (Type 2) Charging Unit

The WALLPOD:EV is a low-cost, entry level charging unit, designed to offer full Mode 3 fast charging to every Electric Vehicle (EV/PHEV) on the market today.

This charging unit has been specifically designed for domestic and commercial locations including offices, factories, restaurants, hotels, sports venues, etc.

PRODUCT FEATURES

- Mode 3 (IEC 61851-1) fast charging
- Type 2 (IEC 62196) charging socket
- 3.6kW (16A) & 7.2kW (32A) charging speeds
- Built-in overload and fault current protection (Type A RCBO)
- Built-in DC sensitive protective device
- Built-in LED charging status indicator
- Certificated by the BSI as safe to use in the domestic environment
- Easy to install and maintain
- IP Rated
- UV stabilised
- Corrosion resistant
- Fire retardant
- Impact resistant design



Type 2
Connector



Safety In The
Home Certified



Colour Options
Available



IP Rated &
UV Stabilised





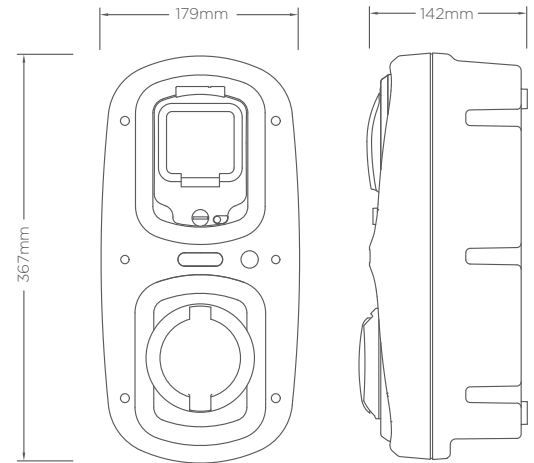
Flame
Retardant



CE
Certified

SPECIFICATIONS

Product Code	EVWP2010	EVWP2020
Charging Socket	Type 2 (IEC 62196) 	
Rated Output	3.6kW	7.2kW
Rated Current	16A	32A
Charge Protocol	Mode 3	
Input Voltage	230V AC/50Hz (Single Phase)	
Overload & Fault Current Protection	Built-in 20A, 30mA Type A RCBO & Built-in 6mA DC Sensitive Device	Built-in 40A, 30mA Type A RCBO & Built-in 6mA DC Sensitive Device
Cable Terminals	16mm earth	
Standby Consumption	Approx 0.05kWh per day	
Certifications & Compliances	EV Charging Compliance - EN 61851-1:2001, EN 61851-21:2002, EN 61851-22:2002	
	Wiring Regulations - BS 7671	
	EMC Compliance - EN 61000-6-3:2007, EN 61000-6-2:2005	
	Safety Compliance (LVD) - 2014/35/EU, EN 62368-1:2014	
	Environmental Protection - Enclosure IP65, Socket IP54 (BS EN 60529:1992+A2:2013)	
	Dimensions 179mm x 367mm x 142mm (W x H x D)	
Unit Material	Polycarbonate (303 EP-22)	
Operating Temperature	-30°C to +50°C	
Standard Base Colour	Warm White (Other colours available upon request)	
Standard Pod Colour	Green (Other colours available upon request)	



OPTIONS & ACCESSORIES

- Key switch control charging
- Lockable door to switchgear
- Built-in class 1 MID compliant kWh meter
- Built-in time clock providing charge time management
- Corporate branding (colours, logo badge, etc.)
- Amp-Selector key switch (switches between 16A or 32A)
- Charge-By-Solar switch (switches between 6A, 13A, 16A or 32A)
- Charge point signage
- EV charging cables (Type 1 to Type 2 or Type 2 to Type 2)

Images are for marketing purposes only and are not contractual © 2021



Head office contact:
t: +44 (0) 1205 724754
f: +44 (0) 1205 724876
rolec@rolecserv.co.uk

Rolec Services Ltd
Ralphs Lane, Frampton West
Boston, Lincolnshire
UK. PE20 1QU

 @RolecEV
 /Rolec-Services
www.rolecserv.com

EVWPSD-V05-R3 WallPod EV Socketed - Data Sheet

WALLPOD:EV

FREE-TO-USE

Type 1, Mode 3 Tethered Lead
3.6kW or 7.2kW

ROLEC
EV Charging

MANUFACTURED IN THE UK



Unit shown: WALLPOD:EV
Tethered (Type 1) Charging Unit

The WALLPOD:EV is a low-cost, entry level charging unit, designed to offer full Mode 3 fast charging to every Electric Vehicle (EV/PHEV) with a type 1 connector.

This charging unit has been specifically designed for domestic and commercial locations including offices, factories, restaurants, hotels, sports venues, etc.

This type 1 tethered lead charging unit offers either 3.6kW or 7.2kW mode 3 charging speeds.

PRODUCT FEATURES

- Mode 3 (IEC 61851-1) fast charging
- Type 1 (J1772) tethered lead (available in two lengths) & lead holder
- 3.6kW (16A) & 7.2kW (32A) charging speeds
- Built-in overload and fault current protection (Type A RCBO)
- Built-in DC sensitive protective device
- Built-in LED charging status indicator
- Easy to install and maintain
- IP Rated
- UV stabilised
- Corrosion resistant
- Fire retardant
- Impact resistant design



Type 1
Tethered Lead



Safety In The
Home Certified



Colour Options
Available



IP Rated &
UV Stabilised





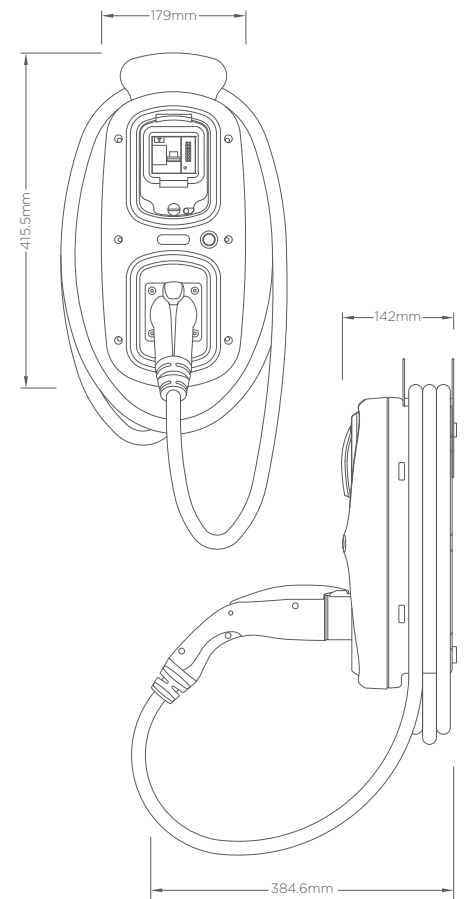
Flame
Retardant



CE
Certified

SPECIFICATIONS

Product Code	EVWP1080	EVWP1140	EVWP1085	EVWP1145
Charging Gun	Type 1 (J1772) 			
Charging Cable Length	5m (approx. 4.5m external)		10m (approx. 9.5m external)	
Rated Output	3.6kW	7.2kW	3.6kW	7.2kW
Rated Current	16A	32A	16A	32A
Charge Protocol	Mode 3			
Input Voltage	230V AC/50Hz (Single Phase)			
Overload & Fault Current Protection	Built-in 30mA Type A RCBO & Built-in 6mA DC Sensitive Device			
	20A	40A	20A	40A
Cable Terminals	16mm earth			
Standby Consumption	Approx 0.05kWh per day			
Certifications & Compliances	EV Charging Compliance - EN 61851-1:2001, EN 61851-21:2002, EN 61851-22:2002 Wiring Regulations - BS 7671 EMC Compliance - EN 61000-6-3:2007, EN 61000-6-2:2005 Safety Compliance (LVD) - 2014/35/EU, EN 62368-1:2014 Environmental Protection - Enclosure IP65, Socket IP54 (BS EN 60529:1992+A2:2013)			
				
Dimensions	179mm x 415.5mm x 142mm (W x H x D)			
Unit Material	Polycarbonate (303 EP-22)			
Operating Temperature	-30°C to +50°C			
Standard Base Colour	Warm White (Other colours available upon request)			
Standard Pod Colour	Green (Other colours available upon request)			



OPTIONS & ACCESSORIES

- Key switch control charging
- Lockable door to switchgear
- Built-in class 1 MID compliant kWh meter
- Built-in time clock providing charge time management
- Corporate branding (colours, logo badge, etc.)
- Amp-Selector key switch (switches between 16A or 32A)
- Charge-By-Solar switch (switches between 6A, 13A, 16A or 32A)
- Charge point signage
- Wall mounted charging gun holster



Images are for marketing purposes only and are not contractual © 2021



Head office contact:
t: +44 (0) 1205 724754
f: +44 (0) 1205 724876
rolec@rolecserv.co.uk

Rolec Services Ltd
Ralphs Lane, Frampton West
Boston, Lincolnshire
UK. PE20 1QU

 @RolecEV
 /Rolec-Services
www.rolecserv.com

EVWPT1D-V01-R3 WallPod EV Type1 Tethered - Data Sheet

WALLPOD:EV

FREE-TO-USE

Type 2, Mode 3 Tethered Lead
3.6kW or 7.2kW

ROLEC
EV Charging

MANUFACTURED IN THE UK



Unit shown: WALLPOD:EV
Tethered (Type 2) Charging Unit

The WALLPOD:EV is a low-cost, entry level charging unit, designed to offer full Mode 3 fast charging to every Electric Vehicle (EV/PHEV) with a type 2 connector.

This charging unit has been specifically designed for domestic and commercial locations including offices, factories, restaurants, hotels, sports venues, etc.

This type 2 tethered lead charging unit offers either 3.6kW or 7.2kW mode 3 charging speeds.

PRODUCT FEATURES

- Mode 3 (IEC 61851-1) fast charging
- Type 2 (IEC 62196) tethered lead (available in two lengths) & lead holder
- 3.6kW (16A) & 7.2kW (32A) charging speeds
- Built-in overload and fault current protection (Type A RCBO)
- Built-in DC sensitive protective device
- Built-in LED charging status indicator
- Certificated by the BSI as safe to use in the domestic environment
- Easy to install and maintain
- IP Rated
- UV stabilised
- Corrosion resistant
- Fire retardant
- Impact resistant design



Type 2
Tethered Lead



Safety In The
Home Certified



Colour Options
Available



IP Rated &
UV Stabilised





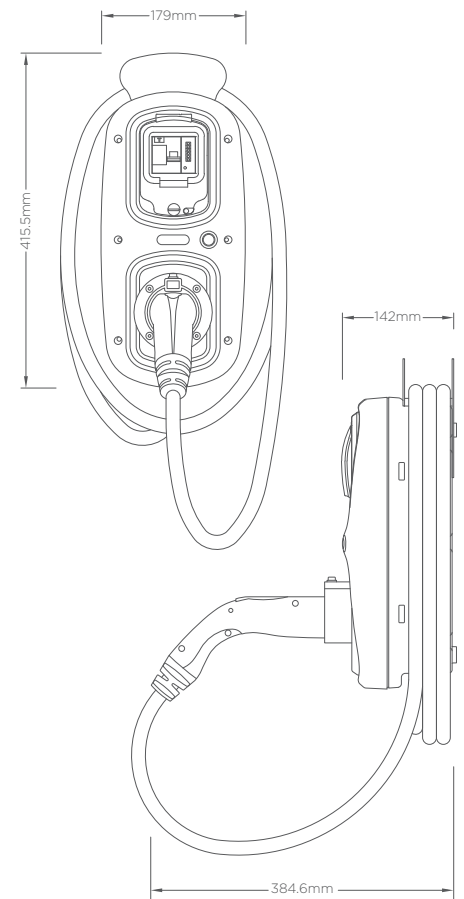
Flame
Retardant



CE
Certified

SPECIFICATIONS

Product Code	EVWP2080	EVWP2140	EVWP2085	EVWP2145
Charging Gun	Type 2 (IEC 62196) 			
Charging Cable Length	5m (approx. 4.5m external)		10m (approx. 9.5m external)	
Rated Output	3.6kW	7.2kW	3.6kW	7.2kW
Rated Current	16A	32A	16A	32A
Charge Protocol	Mode 3			
Input Voltage	230V AC/50Hz (Single Phase)			
Overload & Fault Current Protection	Built-in 30mA Type A RCBO & Built-in 6mA DC Sensitive Device			
	20A	40A	20A	40A
Cable Terminals	16mm earth			
Standby Consumption	Approx 0.05kWh per day			
Certifications & Compliances	EV Charging Compliance - EN 61851-1:2001, EN 61851-21:2002, EN 61851-22:2002 Wiring Regulations - BS 7671 EMC Compliance - EN 61000-6-3:2007, EN 61000-6-2:2005 Safety Compliance (LVD) - 2014/35/EU, EN 62368-1:2014 Environmental Protection - Enclosure IP65, Socket IP54 (BS EN 60529:1992+A2:2013)			
				
Dimensions	179mm x 415.5mm x 142mm (W x H x D)			
Unit Material	Polycarbonate (303 EP-22)			
Operating Temperature	-30°C to +50°C			
Standard Base Colour	Warm White (Other colours available upon request)			
Standard Pod Colour	Green (Other colours available upon request)			



OPTIONS & ACCESSORIES

- Key switch control charging
- Lockable door to switchgear
- Built-in class 1 MID compliant kWh meter
- Built-in time clock providing charge time management
- Corporate branding (colours, logo badge, etc.)
- Amp-Selector key switch (switches between 16A or 32A)
- Charge-By-Solar switch (switches between 6A, 13A, 16A or 32A)
- Charge point signage
- Wall mounted charging gun holster



Images are for marketing purposes only and are not contractual © 2021



Head office contact:
t: +44 (0) 1205 724754
f: +44 (0) 1205 724876
rolec@rolecserv.co.uk

Rolec Services Ltd
Ralphs Lane, Frampton West
Boston, Lincolnshire
UK. PE20 1QU

 @RolecEV
 /Rolec-Services
www.rolecserv.com

EVWPT2D-V01-R3 WallPod EV Type2 Tethered - Data Sheet